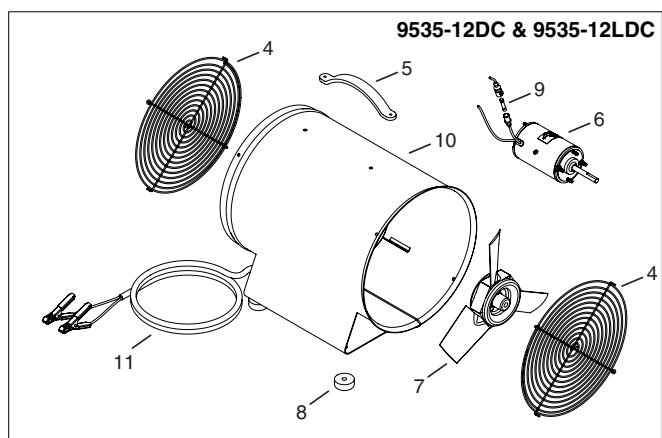
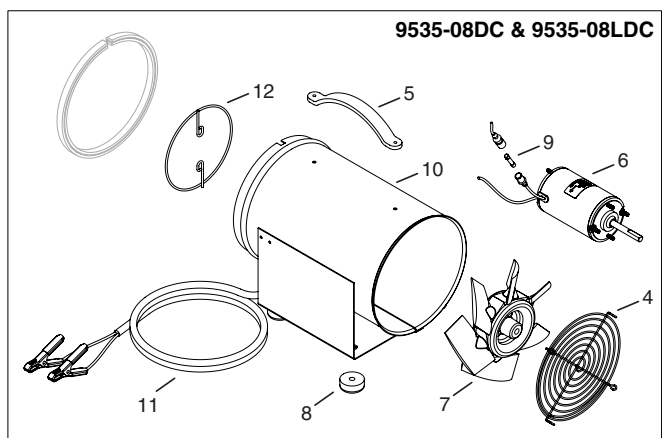
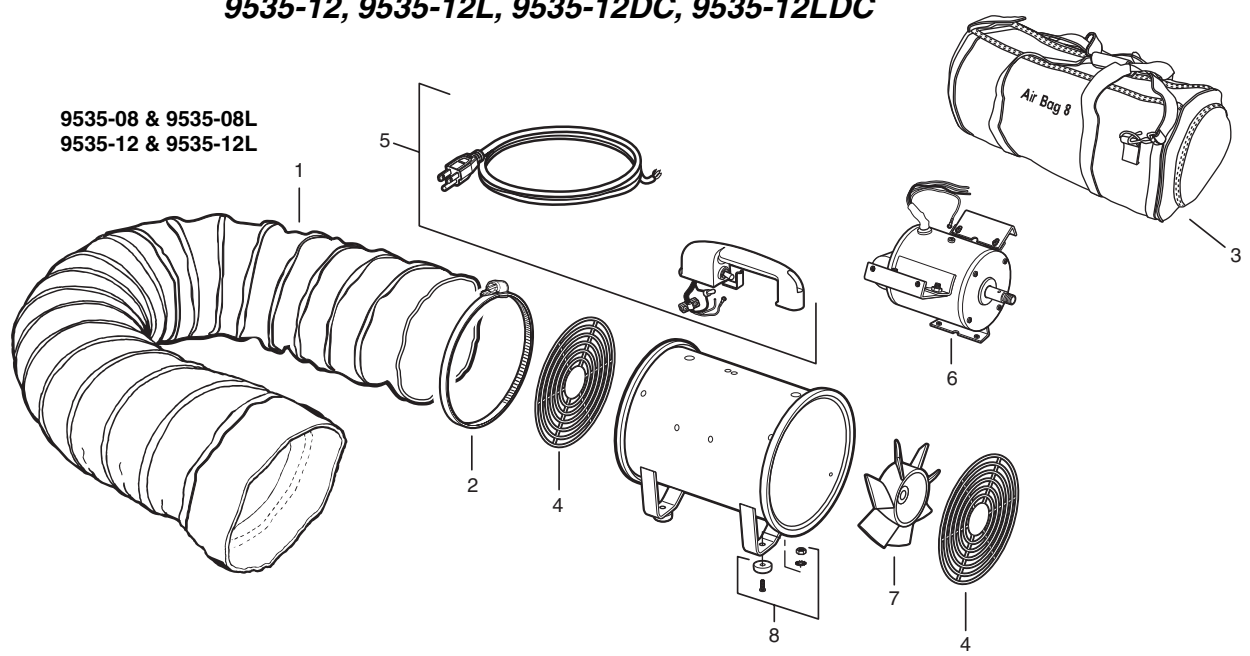


AIR BAG 8
9535-08, 9535-08L, 9535-08DC, 9535-08LDC
AIR BAG 12
9535-12, 9535-12L, 9535-12DC, 9535-12LDC



| Key Part # | Description | Key Part # | Description | Key Part # | Description | | |
|------------|--|------------|---|--|--|--|---------------------------------------|
| 9535-08 | Air Bag 8 (15' Ducting) | 4 | 9535-08G Grill (Air Bag 8) | 8 | 9535-08F Rubber Feet, Set of 4 (Air Bag 8) | | |
| 9535-08L | Air Bag 8 (25' Ducting) | | 9535-12G Grill (Air Bag 12) | | 9535-12F Rubber Feet, Set of 4 (Air Bag 12) | | |
| 9535-08DC | Air Bag 8, DC (15' Ducting) | | 9534-02 Grill (Air Bag 8DC/LDC) | | 9505-06 Rubber Feet, Set of 4 (Air Bag 8DC/LDC & Air Bag 12DC/LDC) | | |
| 9535-08LDC | Air Bag 8, DC (25' Ducting) | | 9509-02 Grill (Air Bag 12DC/LDC) | | | | |
| 9535-12 | Air Bag 12 (15' Ducting) | 5 | 9535-08H Handle w/ Cord (Switch and screws included) (Air Bag 8) | 9 | 9506-11 Fuse, 30 Amp (Air Bag 8DC/LDC & Air Bag 12DC/LDC) | | |
| 9535-12L | Air Bag 12 (25' Ducting) | | 9535-12H Handle w/ Cord (Switch and screws included) (Air Bag 12) | 10 | 9534-04 Chassis (Air Bag 8DC/LDC) | | |
| 9535-12DC | Air Bag 12, DC (15' Ducting) | | 9513-07 Handle (Air Bag 8DC/LDC & Air Bag 12DC/LDC) | | 9509-05 Chassis (Air Bag 12DC/LDC) | | |
| 9535-12LDC | Air Bag 12, DC (25' Ducting) | | 6 | 9535-08M Motor (Air Bag 8) | 11 | 9506-40 Cord w/ Battery Clamps (Air Bag 8 DC/LDC & Air Bag 12DC/LDC) | |
| 1 | 9535-08D 15' Ducting (Air Bag 8) | | | 9535-12M Motor (Air Bag 12) | | | |
| | 9535-12D 15' Ducting (Air Bag 12) | | | 9506-10 Motor (Air Bag 8DC/LDC & Air Bag 12DC/LDC) | | | |
| | 9535-08DL 25' Ducting (Air Bag 8) | | | 7 | 9535-08E Fan (Air Bag 8) | 12 | 9513-09 Motor Clamp (Air Bag 8DC/LDC) |
| | 9535-12DL 25' Ducting (Air Bag 12) | | | | 9535-12E Fan (Air Bag 12) | | |
| 2 | 9514-01B Duct Clamp (Air Bag 8 DC/LDC) | | | | 9534-05 Fan (Air Bag 8DC/LDC) | | |
| | 9535-12CP Duct Clamp (Air Bag 12 DC/LDC) | | | | 9509-06 Fan (Air Bag 12DC/LDC) | | |
| 3 | 9535-08C Blower Bag (Air Bag 8) | | | | | | |
| | 9535-12C Blower Bag (Air Bag 12) | | | | | | |